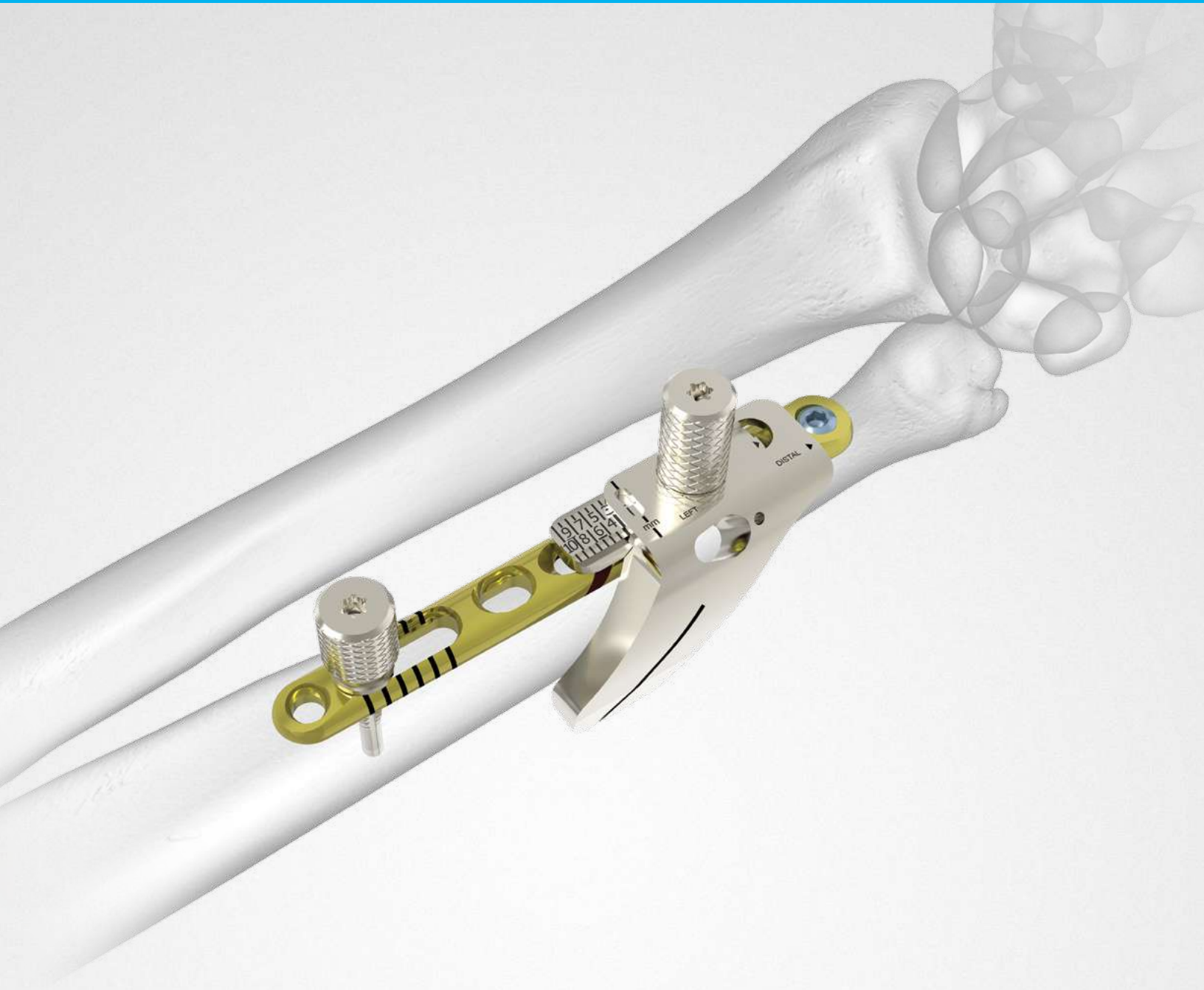


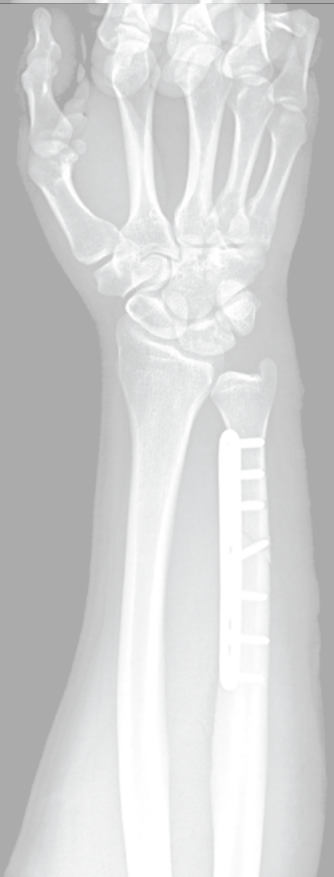
Surgical Technique



Acumed® is a global leader of innovative orthopaedic and medical solutions.



We are dedicated to developing products, service methods, and approaches that improve patient care.



Acumed® Osteotomy System

The Acumed Osteotomy System features the Ulna Shortening Plate, designed to offer a low-profile plate with built-in osteotomy reference lines and an Osteotomy Guide. The reference lines on the plate help facilitate the creation of the osteotomy when a “freehand cut” is preferred. Designed in conjunction with William B. Geissler, MD, the low-profile Ulna Shortening Plate is designed to keep the screw heads as low as possible. The interfragmentary screw may be placed in one of two locations through the scalloped slot and is intended to compress the osteotomy securely when used as a lag screw. The plate offers the option to lock up to three screws distally and one proximally.

Indications for an ulna shortening osteotomy include:

- ▶ Ulnar Impaction Syndrome due to ulnar-positive variance
- ▶ Distal radial ulnar joint (DRUJ) incongruity due to shortening of the radius
- ▶ Traumatic and degenerative tears of the triangular fibrocartilage complex (TFCC) associated with positive ulnar variance

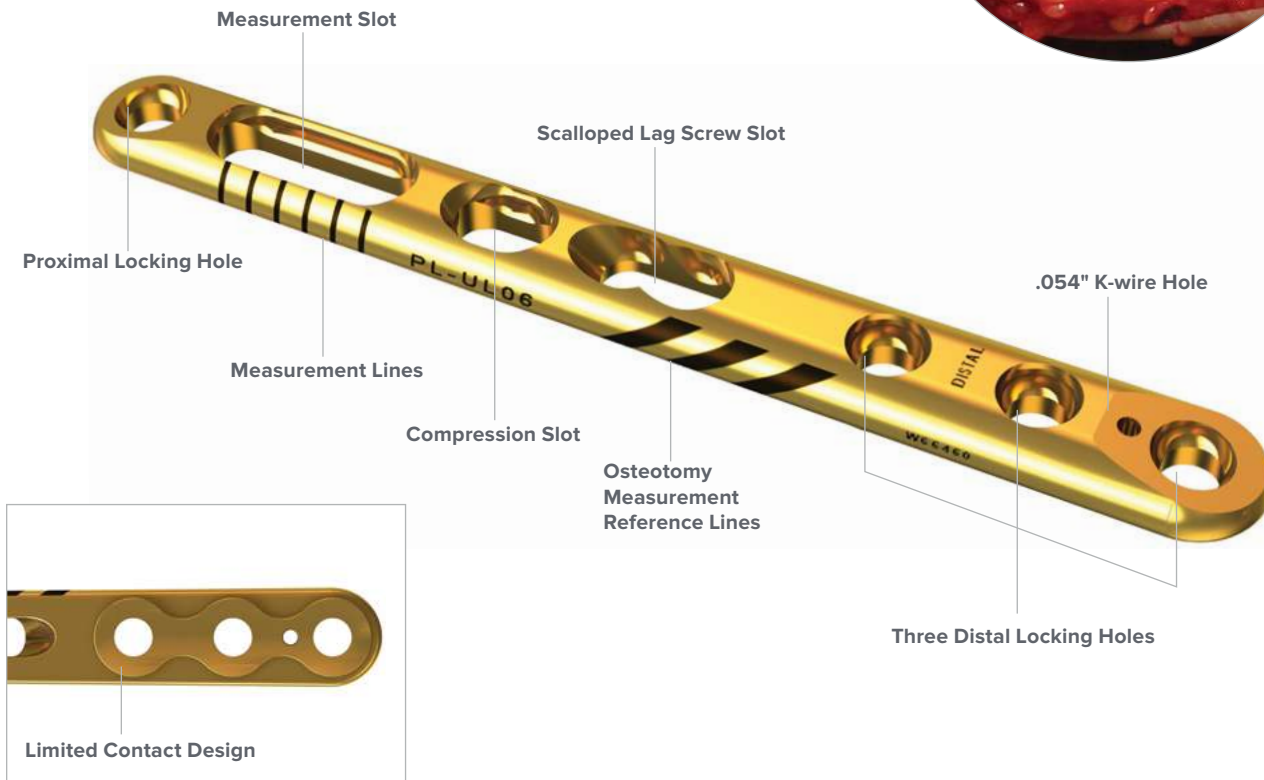
Table of Contents

System Features	1
Instrumentation Overview	2
Surgical Technique Overview	3
Surgical Technique	5
Osteotomy Guide Assembly Instructions	5
Osteotomy With Guide Technique	6
Osteotomy Without Guide Technique	13
Ordering Information	17

System Features

Built-in Osteotomy Reference Guides

Measurement reference lines on the side of the plate visually display the amount of shortening which can be obtained. Each 40° oblique laser line and spacing in between represents 2 mm of shortening. The perpendicular lines near the measurement slot are also spaced 2 mm apart and are designed to indicate the shortening obtained from the osteotomy.



Advanced Instrumentation

The Ulnar Shortening Reduction Clamp (80-0423) utilizes a speed-lock wheel designed to maintain a hands-free compression of the osteotomy. The multipurpose temporary Ulnar Shortening Reduction Peg (80-0422) is partially threaded to help ensure that the far cortex is not tapped prior to it being replaced by a screw. The Ulnar Shortening Reduction Peg is designed to stabilize the ulna and help maintain rotational alignment while creating the osteotomy prior to being used with the reduction clamp.



Instrumentation Overview



6-Hole Ulna Shortening Plate
(PL-UL06)



Ulnar Shortening Guide Locking Bolt
(80-0421)



Ulnar Shortening Guide Bottom Plate
(80-0420)



Ulnar Shortening Reduction Peg
(80-0422)



Osteotomy Saw Blade Hub Style DS
(80-2017-S)



Osteotomy Saw Blade Hub Style L
(80-0739-S)



Osteotomy Saw Blade Hub Style S
(80-0740-S)



2.8 mm Hexalobe Locking Drill Guide 6–65 mm
(80-0668)



2.8 mm Locking Drill Guide 6–65 mm
(80-0384)



2.8 mm / 3.5 mm Thin Drill Guide
(PL-2196)



Ulnar Shortening Guide Left
(80-0418)



3.5 mm Locking Hexalobe Screw
(30-XXXX)



3.5 mm Nonlocking Hexalobe Screw
(30-XXXX)



3.5 mm Locking Cortical Screw
(COL-3XXX)



3.5 mm Cortical Screw
(CO-3XXX)



Plate Tack
(PL-PTACK)



Ulnar Shortening Guide Right
(80-0419)



T15 Stick Fit Hexalobe Driver
(80-0760)



2.5 mm Quick Release Hex Driver
(HPC-0025)



.054" x 6" Guide Wire
(WS-1406ST)



2.8 mm Quick Release Drill
(80-0387)



3.5 mm x 5" Quick Release Drill
(MS-DC35)



Ulnar Shortening Reduction Clamp
(80-0423)



Reduction Forceps with Serrated Jaw
(PL-CL04)



Large Cannulated Quick Release Driver Handle
(MS-3200)

Surgical Technique Overview

Osteotomy Guide
Assembly Instructions

Align



Insert



Secure



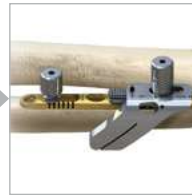
Osteotomy with
Guide Technique

Osteotomy Without
Guide Technique

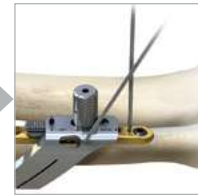
Placement



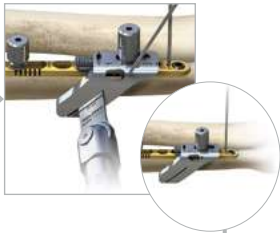
Guide Placement



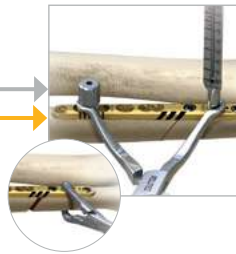
K-wire Placement



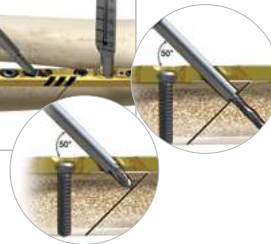
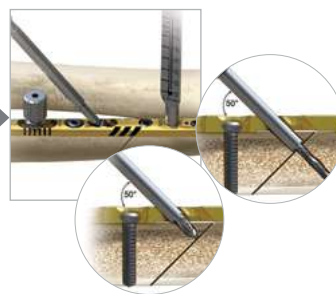
Osteotomy



Gap Reduction



Screw Placement



Final Confirmation



Osteotomy Guide Assembly Instructions



Figure 1



Figure 2



Figure 3

The Acumed Osteotomy Guide Assembly (80-0418 or 80-0419, 80-0420, 80-0421) offers the ability to make adjustments needed to perform the first and second cuts without the need for numerous guides. Additionally, by allowing continuous adjustment from 1 mm to 10 mm, the osteotomy guide assembly allows resection of the desired amount.

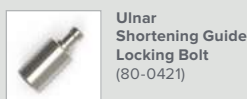
1 Assemble Guide and Bottom Plate

Ensuring that the laser-marked arrows are aligned (Figure 1), slide the Ulnar Shortening Guide Bottom Plate (80-0420) into the appropriate Ulnar Shortening Guide (80-0418 or 80-0419). Ensure that the bottom plate is completely engaged into the ulnar shortening guide (Figure 2).

Note: The subsequent technique is for a volar approach with the ulnar shortening guide. If a medial approach is taken, the opposite ulnar shortening guide can be used. For example, use the left ulnar shortening guide for a medial approach if the osteotomy is performed on the right ulna. Be sure the cutting slot lines up with the angled measurement reference lines on the plate.

2 Insert Locking Bolt

Slide the guide bottom plate distal enough so that the Ulnar Shortening Guide Locking Bolt (80-0421) can be inserted through both pieces (Figure 3).



Osteotomy With Guide Technique

William B. Geissler, MD

1 Plate Placement

Determine the amount of ulnar variance by reviewing preoperative X-rays. After exposing the volar side of the ulna, place the plate 3–5 cm proximal to the distal end of the ulna. Secure the 6-Hole Ulna Shortening Plate (PL-UL06) to the volar surface with one or more clamps, such as the Reduction Forceps with Serrated Jaw (PL-CL04). Make sure the proximal and distal orientation of the plate is correct, as noted by the laser marks on the plate.



Figure 4



Figure 5

2 Distal Screw and Reduction Peg Placement

Depending on your choice of screw, drill the most distal locking hole using the appropriate 2.8 mm Locking Drill Guide 6–65 mm (80-0384 or 80-0668 – see chart below) and 2.8 mm Quick Release Drill (80-0387). Then insert the proper length 3.5 mm Locking Cortical or Hexalobe Screw (COL-3XXX or 30-XXXX) with the proper Hex (HPC-0025) or Hexalobe (80-0760) Driver. In the proximal end of the measurement slot, drill bicortically and perpendicular to the plate and insert the temporary Ulnar Shortening Reduction Peg (80-0422) with a 2.5 mm Quick Release Hex Driver (HPC-0025).

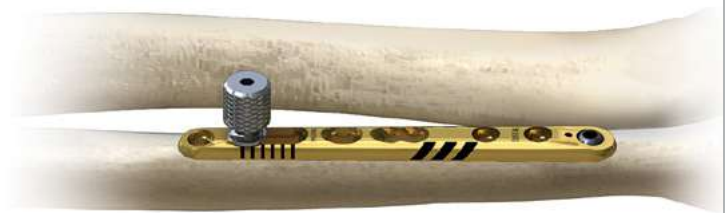


Figure 6

Drill Guide and Driver Selections

Screw	Drill Guide	Driver
Hex (Cortical) Screw	2.8 mm Locking Drill Guide 6–65 mm (80-0384)	2.5 mm Quick Release Hex Driver (HPC-0025)
Hexalobe Screw	2.8 mm Hexalobe Locking Drill Guide 6–65 mm (80-0668)	T15 Stick Fit Hexalobe Driver (80-0760)

Option: Pre-drill the two remaining distal locking holes in the same manner with the appropriate 2.8 mm locking drill guide but **DO NOT INSERT SCREWS**. This optional step can also occur after the osteotomy has been achieved based on surgeon preference.



Osteotomy With Guide Technique [continued]

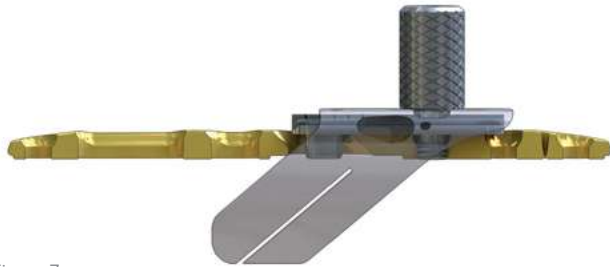


Figure 7

3 Osteotomy Guide Placement

Remove the clamp and insert the Osteotomy Guide Assembly (80-0418 or 80-0419, 80-0420, 80-0421) so that the Ulnar Shortening Guide Locking Bolt (80-0421) is inserted into the third most distal locking hole closest to the lasered reference lines. The cutting slot on the osteotomy guide assembly will be aligned with the angled laser lines on the plate.

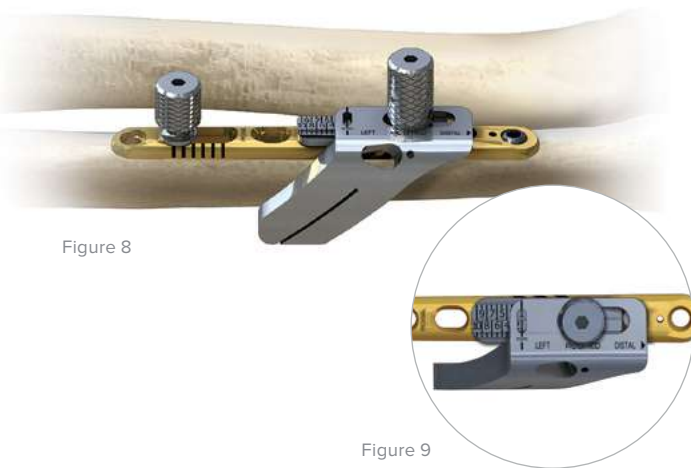


Figure 8

Figure 9

4 Locking Bolt Tightening

Set the osteotomy guide assembly to the 1 mm mark in the measurement window and firmly tighten the locking bolt with a 2.5 mm Quick Release Hex Driver (HPC-0025) or T15 Stick Fit Hexalobe Driver (80-0760).



Ulnar Shortening Guide
(80-0418 or 80-0419)



Ulnar Shortening Guide Bottom Plate
(80-0420)



Ulnar Shortening Guide Locking Bolt
(80-0421)



2.5 mm Quick Release Hex Driver
(HPC-0025)



T15 Stick Fit Hexalobe Driver
(80-0760)

Osteotomy With Guide Technique [continued]

5 Provisional Wire Placement

For additional rotational stability, a Plate Tack (PL-PTACK) may be inserted into the proximal locking hole and a .054" K-wire (WS-1406ST) can be inserted into the K-wire hole in the distal end of the plate. A second .054" K-wire may be inserted through the Osteotomy Guide Assembly (80-0418 or 80-0419, 80-0420, 80-0421) and into the bone for additional stability.

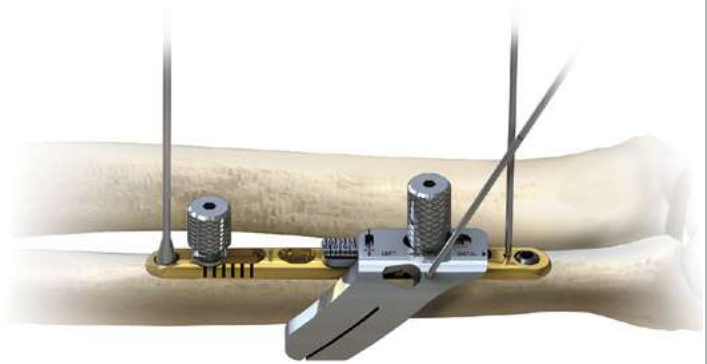


Figure 10

6 Initial Osteotomy Creation

Insert the Osteotomy Saw Blade (80-0739-S, 80-0740-S, or 80-2017-S) into the osteotomy guide assembly and make the first cut. Generously irrigate the osteotomy.

Note: The use of a generic saw blade with the Osteotomy System must meet the following specifications and is considered the responsibility of the user. The cutting slot is .68 mm (.027") wide. The saw blade used must be thinner than the cutting slot and should allow for a minimum cutting depth of 25 mm in order to pass through the guide and bone. Saw blades smaller than .5 mm may be too thin and can increase the chance of an unparallel cut. If the kerf of the blade does not clear the slot, it may be inserted by sliding the shaft of the blade through the open-end of the cutting slot.

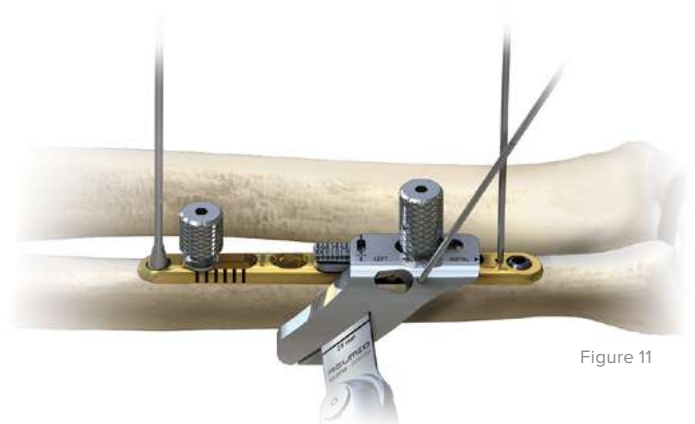


Figure 11

Optional Saw Blades



Osteotomy Saw Blade Hub Style L (80-0739-S)



Osteotomy Saw Blade Hub Style S (80-0740-S)



Osteotomy Saw Blade Hub Style DS (80-2017-S)

Each blade has a thickness of .5 mm (.020") along the shaft and .63 mm (.025") at the cutting edge (kerf).



Plate Tack (PL-PTACK)



.054" K-wire (WS-1406ST)



Ulnar Shortening Guide (80-0418 or 80-0419)



Ulnar Shortening Guide Bottom Plate (80-0420)



Ulnar Shortening Guide Locking Bolt (80-0421)



Osteotomy Saw Blade Hub Style L (80-0739-S)



Osteotomy Saw Blade Hub Style S (80-0740-S)



Osteotomy Saw Blade Hub Style DS (80-2017-S)

Osteotomy With Guide Technique [continued]

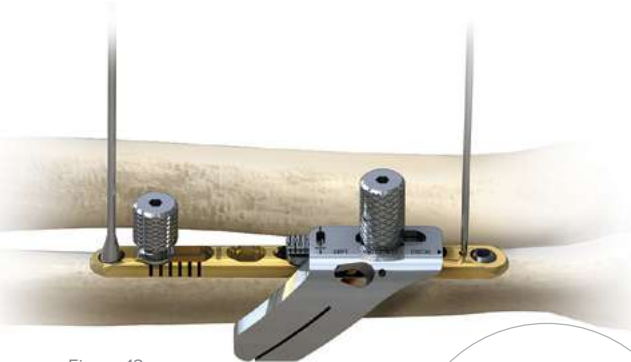


Figure 12



Figure 13

7 Create Secondary Osteotomy

Remove the .054" K-wire (WS-1406ST) inserted into the Osteotomy Guide Assembly (80-0418 or 80-0419, 80-0420, 80-0421) and loosen the Ulnar Shortening Guide Locking Bolt (80-0421) just enough to slide the Ulnar Shortening Guide (80-0418 or 80-0419) to the number corresponding to the amount of shortening preferred. Firmly retighten the locking bolt with the 2.5 mm Quick Release Hex Driver (HPC-0025) or T15 Stick Fit Hexalobe Driver (80-0760).

Make sure that both sides of the ulna are re-aligned with each other and re-insert the K-wire through the osteotomy guide assembly into the bone. Make the second cut.

Note: The numbers on the Ulnar Shortening Guide Bottom Plate (80-0420) are designed to correspond to the preferred amount of bone to be resected. For example, the “4” signifies 4 mm of resection.



Figure 14

8 Bone Wafer Removal

Remove both K-wires, the osteotomy guide, and Plate Tack (PL-PTACK). Slightly loosen (**DO NOT REMOVE**) the reduction peg in the measurement slot and excise the bone wafer.



.054" K-wire
(WS-1406ST)



Ulnar
Shortening Guide
(80-0418 or
80-0419)



Ulnar
Shortening Guide
Bottom Plate
(80-0420)



Ulnar
Shortening Guide
Locking Bolt
(80-0421)



2.5 mm
Quick Release
Hex Driver
(HPC-0025)



T15 Stick Fit
Hexalobe Driver
(80-0760)



Plate Tack
(PL-PTACK)

Osteotomy With Guide Technique [continued]

9 Secondary Locking Drill Guide Placement

Place a bone clamp over the distal portion of the ulna and plate to reduce the gap in between them. In the third most distal locking hole closest to the osteotomy, drill using the 2.8 mm Locking Drill Guide 6–65 mm (80-0384 or 80-0668) and 2.8 mm Quick Release Drill (80-0387) if predrilling was not performed in Step 2.

Insert the proper length 3.5 mm Locking Cortical or Hexalobe Screw (COL-3XXX or 30-XXXX) or 3.5 mm Cortical or Nonlocking Hexalobe Screw (CO-3XXX or 30-XXXX). Remove the bone clamp and place the 2.8 mm locking drill guide into the second distal locking hole.



Figure 15

10 Osteotomy Gap Reduction

Place the Ulnar Shortening Reduction Clamp (80-0423) around the Ulnar Shortening Reduction Peg (80-0422) and 2.8 mm locking drill guide (80-0384). Reduce the osteotomy gap with the reduction clamp and tighten the speed-lock wheel on the clamp to maintain reduction hands-free.

Note: If the gap does not close, examine and remove any excess bone in the osteotomy site near the plate. If excess bone is present in the osteotomy site, the proximal and distal ends of the bone may be rotated under the plate to remove any bone blocking reduction.



Figure 16



Osteotomy With Guide Technique [continued]



Figure 17

11 Proximal Nonlocking Screw Placement

While holding the compression, drill the proximal end of the compression slot with the 2.8 mm Quick Release Drill (80-0387), then measure and insert a 3.5 mm Cortical or Nonlocking Hexalobe Screw (CO-3XXX or 30-XXXX). Ensure that the preferred amount of shortening has been achieved by X-ray.

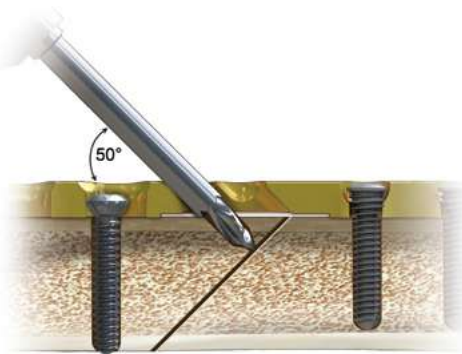


Figure 18: 3.5 mm x 5" Quick Release Drill

12 Drilling Glide Hole

In the scalloped lag screw slot using a 3.5 mm Quick Release Drill (MS-DC35) and the 2.8 mm/3.5 mm Thin Drill Guide (PL-2196), drill a glide hole in the near cortex at an angle across the osteotomy site (Figure 18). Although the proximal or distal portion of the slot may be used depending on the osteotomy location and preferred interfragmentary screw placement, the proximal slot is preferred. Next, place the 2.8 mm end of the drill guide into the 3.5 mm glide hole and use a 2.8 mm Quick Release Drill (80-0387) to drill the far cortex (Figure 19).

Note: If the angle of the drill is too shallow, the drill may collide with the adjacent screw.



Figure 19: 2.8 mm Quick Release Drill



2.8 mm Quick Release Drill (80-0387)



3.5 mm Nonlocking Hexalobe Screw (30-XXXX)



3.5 mm Cortical Screw (CO-3XXX)



3.5 mm x 5" Quick Release Drill (MS-DC35)



Thin Drill Guide (PL-2196)

Osteotomy With Guide Technique [continued]

13 Distal Locking Screw Placement

Measure and insert a 3.5 mm Cortical or Nonlocking Hexalobe Screw (CO-3XXX or 30-XXXX) into the scalloped lag screw slot. Remove the Ulnar Shortening Reduction Clamp (80-0423). Drill the second distal locking hole using the 2.8 mm Quick Release Drill (80-0387) before removing the 2.8 mm Locking Drill Guide 6–65 mm (80-0384 or 80-0668). Measure and insert a 3.5 mm Locking Cortical and Hexalobe Screw (COL-3XXX or 30-XXXX) into the remaining distal locking hole.

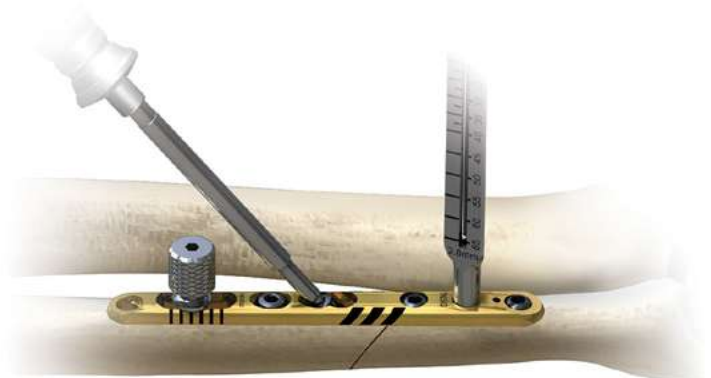


Figure 20

14 Final Screw Placement

Remove the Ulnar Shortening Reduction Peg (80-0422). Measure and replace with a 3.5 mm Cortical or Nonlocking Hexalobe Screw (CO-3XXX or 30-XXXX). Drill, measure, and insert a 3.5 mm Locking Cortical and Hexalobe Screw (COL-3XXX or 30-XXXX) in the remaining proximal locking hole.



Figure 21



Osteotomy Without Guide Technique

William B. Geissler, MD



Figure 22



Figure 23

1 Plate Placement

Determine the amount of ulnar variance by reviewing preoperative X-rays. After exposing the volar side of the ulna, place the plate 3–5 cm proximal to the distal end of the ulna. Secure the 6-Hole Ulna Shortening Plate (PL-UL06) to the volar surface with one or more clamps, such as the Reduction Forceps with Serrated Jaw (PL-CL04). Make sure the proximal and distal orientation of the plate is correct, as noted by the laser marks on the plate.



Figure 24

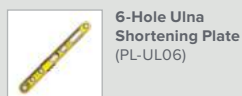
2 Distal Screw and Reduction Peg Placement

Drill the most distal locking hole using the 2.8 mm Locking Drill Guide 6–65 mm (80-0384 or 80-0668 – see chart below) and 2.8 mm Quick Release Drill (80-0387) and insert the proper length 3.5 mm Locking Cortical or Hexalobe Screw (COL-3XXX or 30-XXXX) with proper Hex (HPC-0025) or Hexalobe (80-0760) Driver. In the proximal end of the measurement slot, drill bicortically perpendicular to the plate and insert the Ulnar Shortening Reduction Peg (80-0422) with a 2.5 mm Quick Release Hex Driver (HPC-0025).

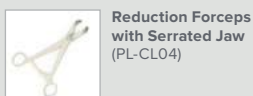
Option: Predrill the two remaining distal locking holes in the same manner with the 2.8 mm locking drill guide but **DO NOT INSERT SCREWS**. This optional step can also occur after the osteotomy has been achieved based on surgeon preference.

Drill Guide and Driver Selections

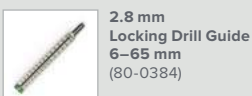
Screw	Drill Guide	Driver
Hex (Cortical) Screw	2.8 mm Locking Drill Guide 6–65 mm (80-0384)	2.5 mm Quick Release Hex Driver (HPC-0025)
Hexalobe Screw	2.8 mm Hexalobe Locking Drill Guide 6–65 mm (80-0668)	T15 Stick Fit Hexalobe Driver (80-0760)



6-Hole Ulna Shortening Plate (PL-UL06)



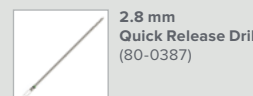
Reduction Forceps with Serrated Jaw (PL-CL04)



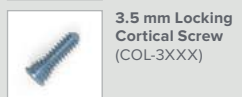
2.8 mm Locking Drill Guide 6–65 mm (80-0384)



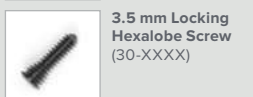
2.8 mm Hexalobe Locking Drill Guide 6–65 mm (80-0668)



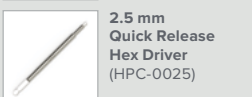
2.8 mm Quick Release Drill (80-0387)



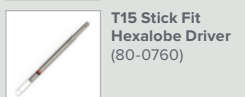
3.5 mm Locking Cortical Screw (COL-3XXX)



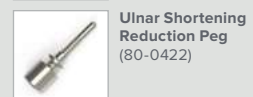
3.5 mm Locking Hexalobe Screw (30-XXXX)



2.5 mm Quick Release Hex Driver (HPC-0025)



T15 Stick Fit Hexalobe Driver (80-0760)



Ulnar Shortening Reduction Peg (80-0422)

Osteotomy Without Guide Technique [continued]

3 Osteotomy Creation

Using the 40° reference marks as a visual guide, start the osteotomy at the most distal laser mark with the Osteotomy Saw Blade (80-0739-S, 80-0740-S, or 80-2017-S). Generously irrigate the osteotomy. Create the osteotomy to the determined amount of shortening and excise the bone wafer. A .054" K-wire (WS-1406ST) in the distal end of the plate and a Plate Tack (PL-PTACK) in the proximal end may be used for additional stability.

Note: Each 40° reference line and space is 2 mm wide.

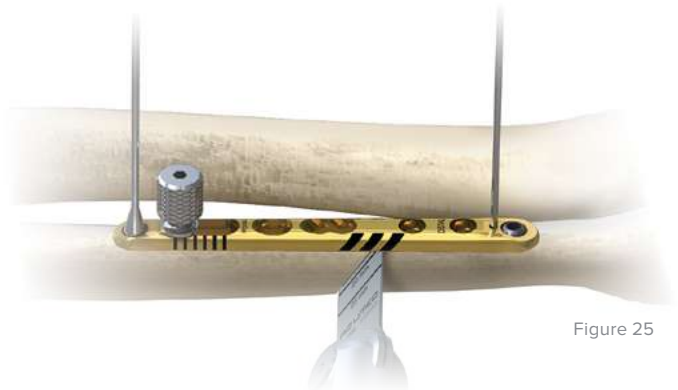


Figure 25

Optional Saw Blades



Osteotomy Saw Blade Hub Style L (80-0739-S)



Osteotomy Saw Blade Hub Style S (80-0740-S)



Osteotomy Saw Blade Hub Style DS (80-2017-S)

Each blade has a thickness of .5 mm (.020") along the shaft and .63 mm (.025") at the cutting edge (kerf).

4 Secondary Locking Drill Guide Placement

Examine the osteotomy site near the plate. If excess bone is present in the osteotomy site, the proximal and distal ends of the bone may be rotated under the plate to remove any bone blocking the reduction.

Place a bone clamp over the distal portion of the ulna and plate to reduce the gap in between them. In the third most distal locking hole closest to the osteotomy, drill using the 2.8 mm Locking Drill Guide 6–65 mm (80-0384 or 80-0668) and 3.5 mm Locking Cortical or Hexalobe Screw (COL-3XXX or 30-XXXX) if predrilling was not performed in Step 2. Insert a 3.5 mm Cortical or Nonlocking Hexalobe Screw (CO-3XXX or 30-XXXX).



Figure 26

	Osteotomy Saw Blade Hub Style L (80-0739-S)		Osteotomy Saw Blade Hub Style DS (80-2017-S)		.054" K-wire (WS-1406ST)		Plate Tack (PL-PTACK)		2.8 mm Locking Drill Guide 6–65 mm (80-0384)
	Osteotomy Saw Blade Hub Style S (80-0740-S)		3.5 mm Locking Cortical Screw (COL-3XXX)		3.5 mm Locking Hexalobe Screw (30-XXXX)		3.5 mm Cortical Screw (CO-3XXX)		3.5 mm Nonlocking Hexalobe Screw (30-XXXX)
	2.8 mm Hexalobe Locking Drill Guide 6–65 mm (80-0668)								

Osteotomy Without Guide Technique [continued]



Figure 27

5 Osteotomy Gap Reduction

Remove the bone clamp and place the 2.8 mm Locking Drill Guide 6–65 mm (80-0384 or 80-0668) into the second distal locking hole. Slightly loosen the reduction peg in the measurement slot. Place the Ulnar Shortening Reduction Clamp (80-0423) around the Ulnar Shortening Reduction Peg (80-0422) and 2.8 mm locking drill guide. Reduce the osteotomy gap with the reduction clamp and tighten the speed-lock wheel on the clamp to maintain reduction hands-free.



Figure 28

6 Proximal Nonlocking Screw Placement

While holding the compression, drill the proximal end of the compression slot with a 2.8 mm Quick Release Drill (80-0387), measure and insert a 3.5 mm Cortical or Nonlocking Hexalobe Screw (CO-3XXX or 30-XXXX) with a 2.5 mm Quick Release Hex Driver (HPC-0025) or T15 Stick Fit Hexalobe Driver (80-0760). Ensure that the preferred amount of shortening has been achieved by X-ray.



2.8 mm Locking Drill Guide
6–65 mm
(80-0384)



2.8 mm Hexalobe Locking Drill Guide
6–65 mm
(80-0668)



Ulnar Shortening Reduction Clamp
(80-0423)



Ulnar Shortening Reduction Peg
(80-0422)



2.8 mm Quick Release Drill
(80-0387)



3.5 mm Cortical Screw
(CO-3XXX)



3.5 mm Nonlocking Hexalobe Screw
(30-XXXX)



2.5 mm Quick Release Hex Driver
(HPC-0025)



T15 Stick Fit Hexalobe Driver
(80-0760)

Osteotomy Without Guide Technique [continued]

7 Drilling Glide Hole

In the scalloped slot, using a 3.5 mm Quick Release Drill (MS-DC35) and the 2.8 mm/3.5 mm Thin Drill Guide (PL-2196), drill a glide hole in the near cortex at an angle across the osteotomy site (Figure 29). Next, place the 2.8 mm end of the drill guide into the 3.5 mm glide hole and use a 2.8 mm Quick Release Drill (80-0387) to drill the far cortex (Figure 30). Measure and insert a 3.5 mm Cortical or Nonlocking Hexalobe Screw (CO-3XXX or 30-XXXX). The proximal or distal portion of the slot may be used depending on the osteotomy location and preferred interfragmentary screw placement. The most proximal hole is preferred.

Note: If the angle of the drill is too shallow, the drill may collide with the adjacent screw.

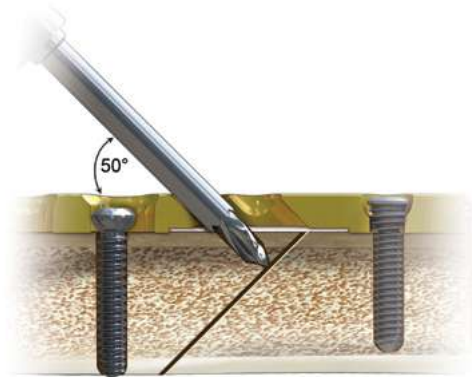


Figure 29: 3.5 mm x 5" Quick Release Drill

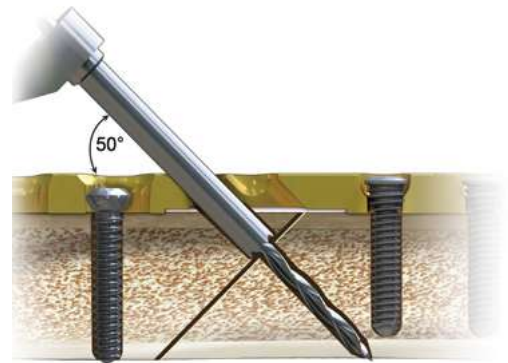


Figure 30: 2.8 mm Quick Release Drill

8 Final Screw Placement

Remove reduction clamp and drill the second distal locking hole before removing the 2.8 mm Locking Drill Guide 6–65 mm (80-0384 or 80-0668). Measure and insert a 3.5 mm Locking Cortical or Hexalobe Screw (COL-3XXX or 30-XXXX) into the remaining distal locking hole. Remove the Ulnar Shortening Reduction Peg (80-0422). Measure and replace with a 3.5 mm Cortical or Nonlocking Hexalobe Screw (CO-3XXX or 30-XXXX). Drill, measure and insert a 3.5 mm locking cortical or hexalobe screw in the remaining proximal locking hole.



Figure 31



Ordering Information

Tray Components

Ulna Shortening Plate

1	6-Hole Ulna Shortening Plate	PL-UL06
---	------------------------------	---------

Instrumentation

2	Ulnar Shortening Guide, Left	80-0418
3	Ulnar Shortening Guide, Right	80-0419
4	Ulnar Shortening Guide Locking Bolt	80-0421
5	Ulnar Shortening Guide Bottom Plate	80-0420
6	Ulnar Shortening Reduction Peg	80-0422
7	Ulnar Shortening Reduction Clamp	80-0423
8	.054" x 6" Guide Wire	WS-1406ST
9	2.8 mm Quick Release Drill	80-0387
10	2.8 mm Locking Drill Guide 6–65 mm	80-0384

Sterile Components

Osteotomy Saw Blades

Osteotomy Saw Blade Hub Style L*	80-0739-S
Osteotomy Saw Blade Hub Style S*	80-0740-S
Osteotomy Saw Blade Hub Style DS*	80-2017-S

Additional Components

Instrumentation

2.5 mm Quick Release Hex Driver	HPC-0025
T15 Stick-Fit Hexalobe Driver	80-0760
Plate Tack	PL-PTACK
3.5 mm x 5" Quick Release Drill	MS-DC35
2.8 mm Hexalobe Locking Drill Guide 6–65 mm	80-0668

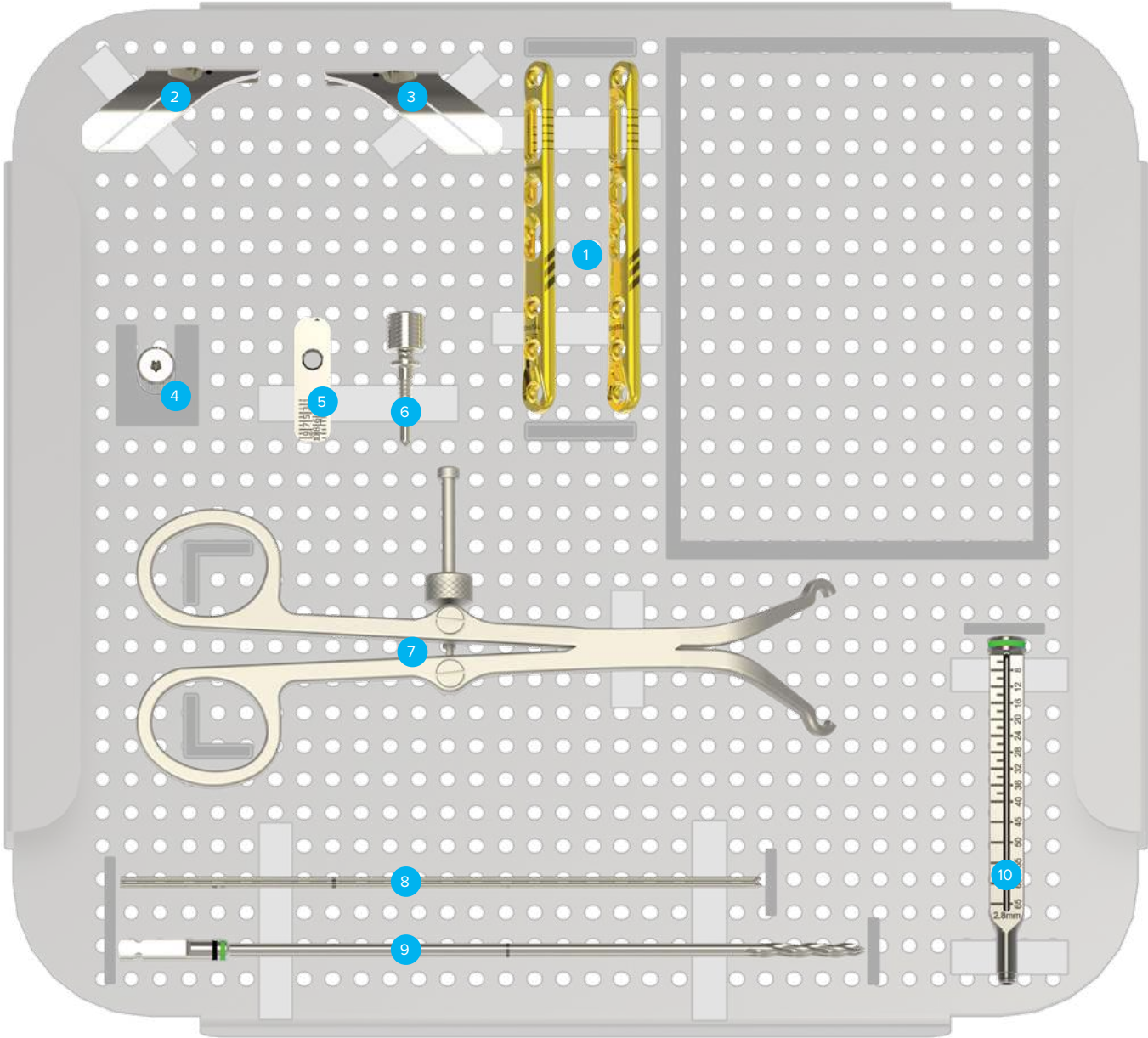
Tray

Ulnar Shortening Tray Assembly	80-0513
--------------------------------	---------

*Optional

Note: The Acumed® Osteotomy System can be used with the following Acumed systems to access additional instrumentation not included in this tray: Clavicle Plating System, Elbow Plating System, and Acu-Loc® 2 System.

To learn more about the full line of Acumed innovative surgical solutions or order additional systems, please contact your local Acumed sales representative, call 888.627.9957, or visit www.acumed.net.



Ordering Information

Screws

3.5 mm Locking Cortical Screws

3.5 mm x 8 mm Locking Cortical Screw	COL-3080
3.5 mm x 10 mm Locking Cortical Screw	COL-3100
3.5 mm x 12 mm Locking Cortical Screw	COL-3120
3.5 mm x 14 mm Locking Cortical Screw	COL-3140
3.5 mm x 16 mm Locking Cortical Screw	COL-3160
3.5 mm x 18 mm Locking Cortical Screw	COL-3180
3.5 mm x 20 mm Locking Cortical Screw	COL-3200

3.5 mm Cortical Screws

3.5 mm x 8 mm Cortical Screw	CO-3080
3.5 mm x 10 mm Cortical Screw	CO-3100
3.5 mm x 12 mm Cortical Screw	CO-3120
3.5 mm x 14 mm Cortical Screw	CO-3140
3.5 mm x 16 mm Cortical Screw	CO-3160
3.5 mm x 18 mm Cortical Screw	CO-3180
3.5 mm x 20 mm Cortical Screw	CO-3200

3.5 mm Locking Hexalobe Screws

3.5 mm x 8 mm Locking Hexalobe Screw	30-0232
3.5 mm x 10 mm Locking Hexalobe Screw	30-0233
3.5 mm x 12 mm Locking Hexalobe Screw	30-0234
3.5 mm x 14 mm Locking Hexalobe Screw	30-0235
3.5 mm x 16 mm Locking Hexalobe Screw	30-0236
3.5 mm x 18 mm Locking Hexalobe Screw	30-0237
3.5 mm x 20 mm Locking Hexalobe Screw	30-0238

3.5 mm Nonlocking Hexalobe Screws

3.5 mm x 8 mm Nonlocking Hexalobe Screw	30-0255
3.5 mm x 10 mm Nonlocking Hexalobe Screw	30-0256
3.5 mm x 12 mm Nonlocking Hexalobe Screw	30-0257
3.5 mm x 14 mm Nonlocking Hexalobe Screw	30-0258
3.5 mm x 16 mm Nonlocking Hexalobe Screw	30-0259
3.5 mm x 18 mm Nonlocking Hexalobe Screw	30-0260
3.5 mm x 20 mm Nonlocking Hexalobe Screw	30-0261



Acumed Headquarters
5885 NW Cornelius Pass Road
Hillsboro, OR 97124
Office: +1.888.627.9957
Office: +1.503.627.9957
Fax: +1.503.520.9618
www.acumed.net

These materials contain information about products that may or may not be available in any particular country or may be available under different trademarks in different countries. The products may be approved or cleared by governmental regulatory organizations for sale or use with different indications or restrictions in different countries. Products may not be approved for use in all countries. Nothing contained on these materials should be construed as a promotion or solicitation for any product or for the use of any product in a particular way which is not authorized under the laws and regulations of the country where the reader is located. Specific questions physicians may have about the availability and use of the products described on these materials should be directed to their particular local sales representative. Specific questions patients may have about the use of the products described in these materials or the appropriateness for their own conditions should be directed to their own physician.

HNW00-03-J | Effective: 2016/02 | © 2016 Acumed® LLC | US Patent No. 8652142 B2